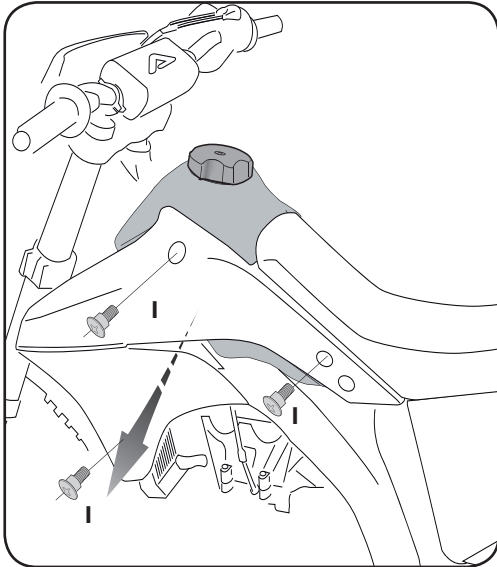
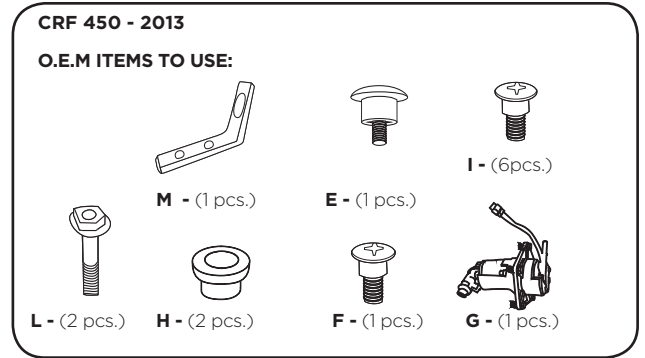
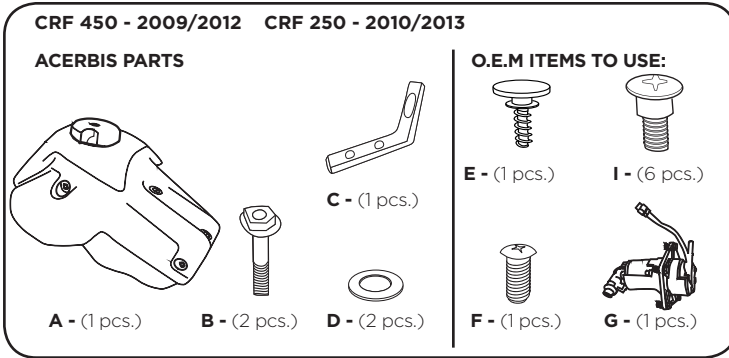
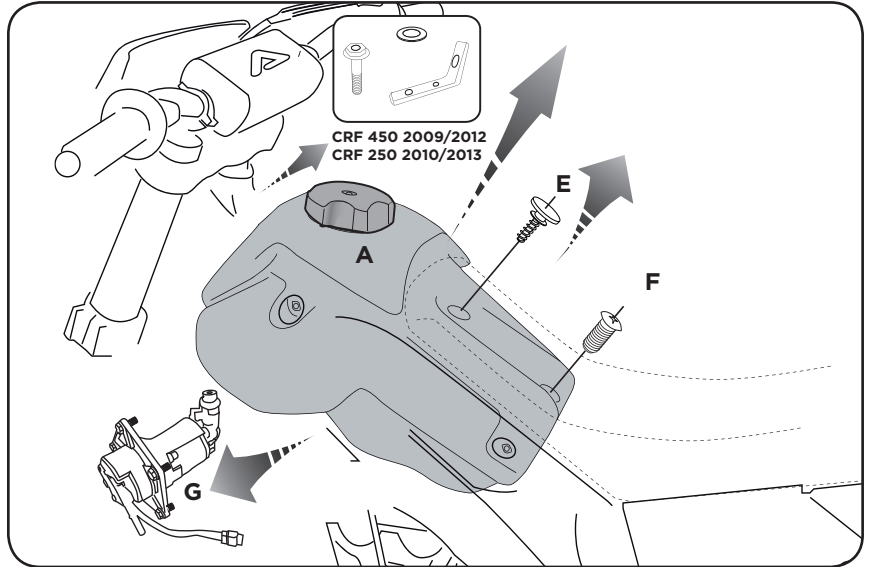


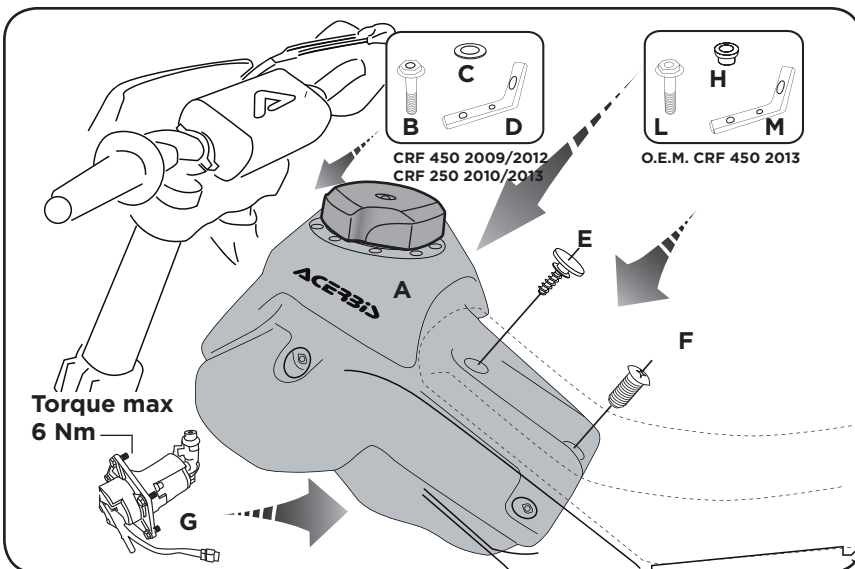
COD. 500002037 REV.1



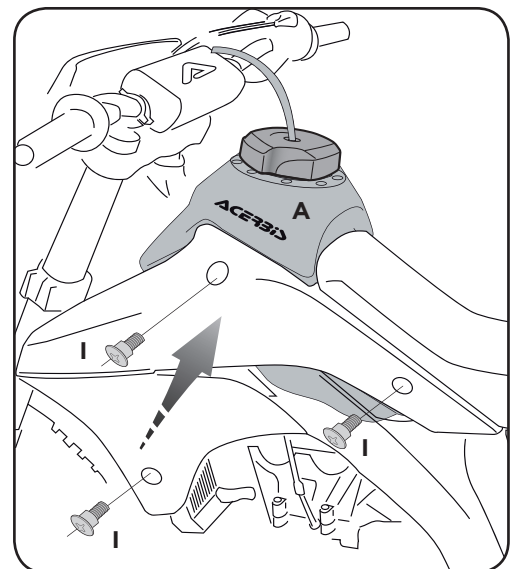
1. Rimuovere spoiler originali lato dx e sx.
Remove original radiator scoops.



2. Smontare dal serbatoio originale piastrina di fissaggio anteriore e relative viti e rondelle, la pompa (G) la vite sella (E) e la vite aggancio serbatoio posteriore (F).
Remove from the original tank the front fixing bracket with relative screw and washer, the seat fixing screw (E), the tank fixing screw (F) and the fuel pump (G).



3. Montare sul serbatoio acerbis la pompa originale (G) e la vite fissaggio sella (E) la vite aggancio serbatoio posteriore (F) la piastrina acerbis (D) con viti (B) e rondelle (C) fornite in dotazione (x modello CRF 450 2013 utilizzare componenti originali L-M-H)
Fix on the acerbis tank the original fuel pump (G), the seat fixing screw (E) and the tank fixing screw (F), for the front fixing point use the bracket (D) the screw (B) and the washer (C) supplied by acerbis (for the model CRF 450 2013 use the original component (L-M-H)).



4. Montare il serbatoio sulla moto e rimontare gli spoiler originali.
Fix the tank on the bike and fix the original radiator scoop.

ACERBIS®

SOUL AND PASSION

Thank you for purchasing an ACERBIS fuel tank

WARNING

It is **EXTREMELY IMPORTANT** that the fuel tank be properly installed. To ensure proper installation, it is **STRONGLY RECOMMENDED** that the tank be installed only by a qualified OEM licensed dealership mechanic. Improper installation could result in serious injury or even death.

If self-installed NOTE THE FOLLOWING. Particular attention must be paid to excessive fuel line length and fuel line proximity to hot engine areas and pipes to prevent fire.

Clean tank interior thoroughly before installation. Install this fuel tank only in a well ventilated area, as gasoline fumes are extremely dangerous. Do not start or operate the vehicle if there are any fuel leaks! Read all instruction first before beginning installation.

DISCLAIMER

Due to uncontrolled variables in the manufacturing process of rotationally molded fuel tanks, the fuel tank may vary in size and shape by up to 7% of the manufacturer's original listed capacity.

WARNING!

Clean tank interior thoroughly before installation. install this fuel tank only in a well ventilated area, as gasoline fumes are extremely dangerous. do not start operate the vehicle if there are any fuel leaks! acerbis recommends that installation be done by licensed mechanic. read all instructions first before beginning installation.

ATTENZIONE!

Pulire a fondo l'interno del serbatoio prima dell'installazione. svolgere l'operazione unicamente in un ambiente ventilato, poiché i fumi della benzina sono estremamente pericolosi. non avviare il veicolo se si riscontrano perdite di carburante! acerbis raccomanda l'installazione presso meccanici autorizzati. leggere attentamente le istruzioni prima di iniziare il montaggio.

DISCLAIMER:

DISCLAIMER: Due to uncontrolled variables in the manufacturing process of rotationally molded fuel tanks, the fuel tank may vary in size and shape by up 7% of the manufacturer's original listed capacity.

LIBERATORIA

LIBERATORIA: A causa di variabili inponderabili nel processo di stampaggio rotazionale dei serbatoi, questi possono differire in forma e dimensioni fino al 7% rispetto alla capacità dichiarata.

FOR COMPETITION USE ONLY
SOLO PER USO AGONISTICO